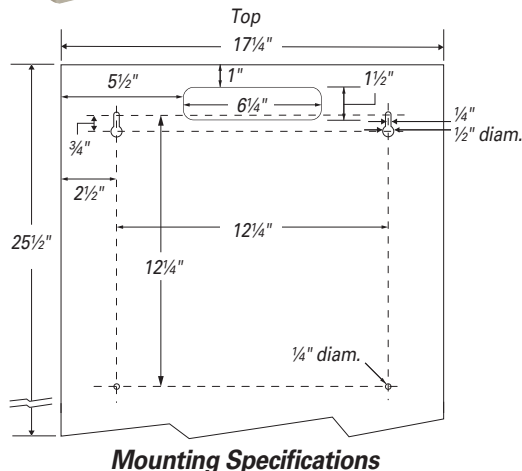


### Primary Areas For Placement

- Ideal for use in isolation or procedure rooms, patient care or exam areas, or anywhere staff PPE is required



Consumables  
not included



### Packaging Includes

- Isolation Station (no assembly required)

### Product Specifications

- 17 1/4"W x 25 1/2"H x 4 1/2"D (43.8 cm x 64.8 cm x 11.4 cm)
- Weight: 14 lbs. (6.4 kg)
- Made of 1-mm thick cold-rolled steel
- Keyholes for wall mounting (hardware not included)
- Top rear cutout for use with AliMed Door Hanger (not included, sold separately)
- Beige

### Capacity

- Holds three boxes of gloves, one box of flat-packed or folded/laundered gowns, and one box of earloop-style face masks
  - **Top**—Standard size glove box(es) up to: 5 3/4"W x 10"H x 4 1/4"D (14.6 cm x 25.4 cm x 10.8 cm)
  - **Center/Bottom Right**—Flat-packed or folded gowns up to: 12"W x 8 1/4"H x 4 1/4"D (30.5 cm x 21 cm x 10.8 cm)
  - **Bottom Right**—Standard size earloop-style face mask box(es) up to: 5"W x 8 1/4"H x 4 1/4"D (12.7 cm x 21 cm x 10.8 cm)
- \*Unit may accommodate other PPE boxes of the same size

### Packaging Specifications

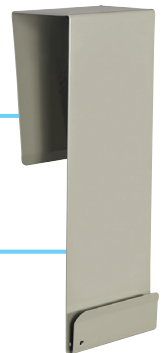
- Quantity: 1 per box
- Box size: 27 1/4"W x 19"H x 6 1/4"D (69 cm x 48 cm x 16 cm)

### Care and Cleaning Instructions

- Clean with a non-abrasive cloth using a diluted solution of mild, non-abrasive detergent or standard hospital disinfectants.
- Dry with a soft, non-abrasive cloth.

### Optional Door Mount Accessory

- #960824 AliMed® Door Hanger (not included, sold separately)

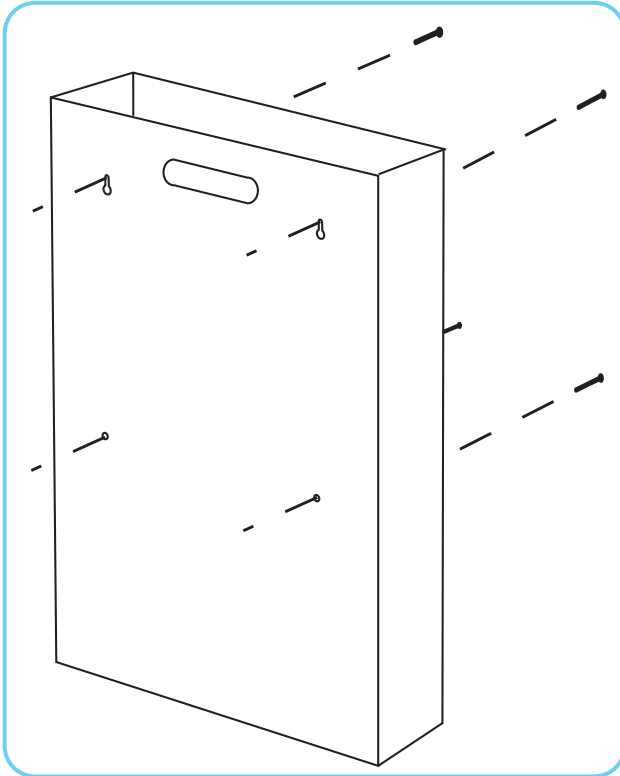


**See p. 2 for mounting instructions**

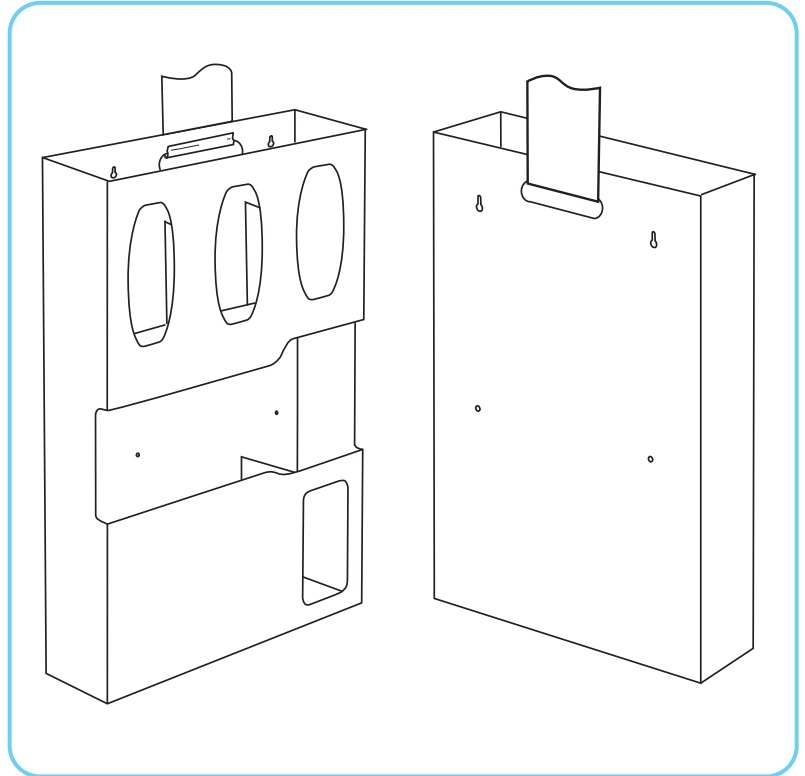
# #960826 Isolation Station

## Mounting Instructions

*Always securely assemble and mount dispensers prior to adding consumables.*



**1. Wall Mount:** Securely mount unit to a wall via keyholes and screw holes in back with screws approved and supplied by building maintenance. All four mounting holes provided must be used.



**2. Door Mount:** Securely hang unit over a door using #960824 AliMed Door Hanger (not included, sold separately). Follow hanging instructions on data sheet packaged with door hanger unit.

**Visit [AliMed.com/ic](https://www.ali-med.com/ic) for our full line of Isolation Stations**

Unit is intended for dispensing PPE product only. Other products are not recommended.  
Content provided is subject to change. Drawing dimensions are approximate.

Pub. #7861 Product #11570  
©2020 AliMed® Inc. All rights reserved.