

AliMed® Motion Detection Alarm

Instructions for Use, Installation, and Application

#2058 Motion Detection Alarm w/Magnetic Bed Rail Clamp

Use

The Motion Detection Alarm relies on infrared technology to detect motion. Alarm emits an invisible fan-shaped beam that will cover an area approximately 60° horizontal and 6° vertical. Use to alert caregivers to patients or residents who have risen or are about to rise from bed or exit room.

Installation

1. Select proper mounting location based on area to be detected.
2. Carefully spread bracket open and remove unit. *Figure 1*
3. Slide battery cover off and insert one 9V battery (included). Ensure plastic is removed from battery and contacts are securely snapped into battery. Allow 20 seconds after battery installation before use.
4. Replace battery cover and secure unit in bracket. Position unit in brackets so when unit is mounted, the power switch faces away from patient (if possible) for easy access by staff or caregiver.
5. Position bracket for desired detection area and securely mount to wall, headboard, or magnetic bracket. Magnetic bracket is included when Motion Detection Alarm w/Bed Rail Clamp is purchased (#2058). Swivel brackets are included for wall or headboard mounting with Motion Detection Alarm w/Wall Mount (#2059). Mounting screws not included. *Figure 2 and 3*
6. Perform test after installation to ensure proper function. Unit should chime/alarm when motion occurs in the desired detection area. If necessary, readjust position of unit to obtain proper detection. **When power is switched on, unit enters 10-second exit delay mode. When testing, wait 10 seconds before attempting to test for chime/alarm signal.**

Application

1. Turn unit on and select either CHIME or ALARM mode. *There is a 10-second exit delay to allow staff or caregiver to exit the room without activating alarm.*
2. Once an object has penetrated the detector field, unit will alarm for 30 seconds from initial detection of motion and then automatically reset.
3. Unit will sound as long as sensor continues to detect motion in the detector field.

Note: Unit will only detect motion on side of bed it is mounted on. When mounted vertically at side of bed, projected beam is perpendicular to the floor. When mounted above the headboard horizontally, projected beam is parallel to the mattress. Detection beam extends up to 24' from unit. To help prevent triggering false alarms by caregivers or other patients, use privacy curtains to inhibit beam from extending beyond desired detection area. Example: When locating unit at headboard, place curtain at foot of bed.

To Test

Turn unit on and select CHIME or ALARM mode. **When power is switched on, unit enters 10-second exit delay mode.** Wait 10 seconds before attempting to test for chime/alarm signal.

If chime/alarm fails to sound and there are no obstructions in front of the lens, replace battery immediately.

Note: Waving hand in front of the unit may not consistently activate chime/alarm. To accurately test, install product and simulate actual use. Alarm should sound when exiting bed.

If any part is broken or missing, do not use and replace unit.

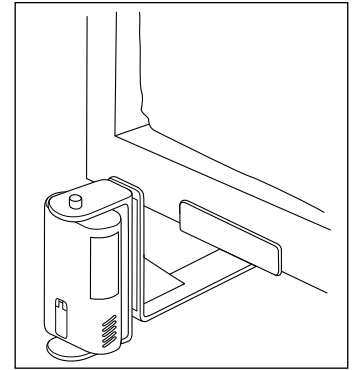


Figure 1

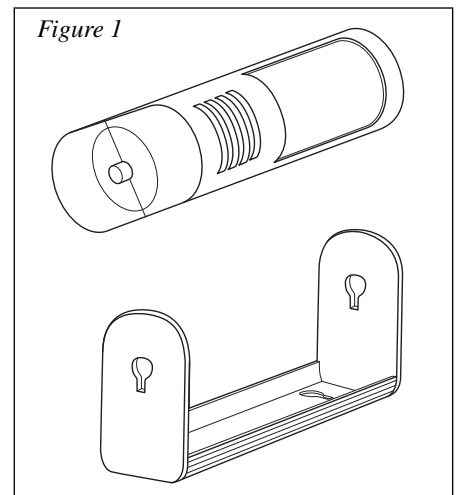
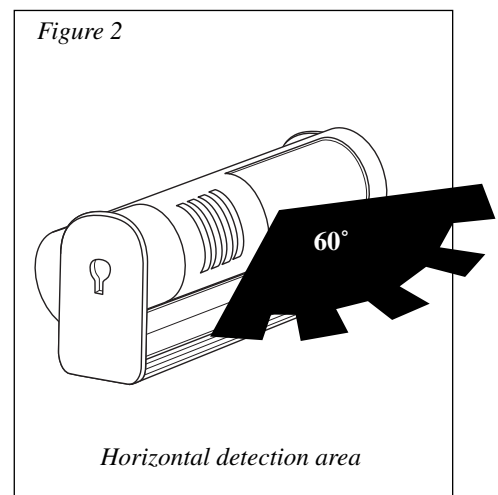


Figure 2



Maintenance

Check unit before each use to ensure function. If motion fails to activate unit, replace battery. If unit fails to work with new battery, replace unit.

Limited 45-Day Warranty

Manufacturer guarantees Motion Detection Alarm for a period of 45 days from date of purchase. Evidence of misuse or improper installation voids warranty.

Note: The manufacturer does not claim that the Motion Detection Alarm will prevent falls. It is designed to be an early warning device only. Please follow instructions for proper use.

Specifications

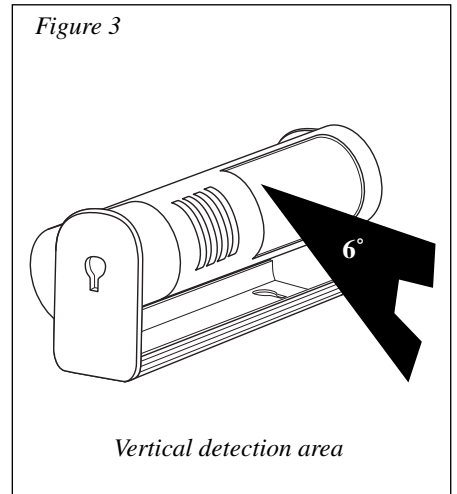
Power Source: DC 9V
Detection Distance: 24' (max)
Horizontal Detection Range: 60°
Vertical Detection Range: 6°

Detection Motion Speed: 1.8-4.5 ft/sec
Static Current: 0.15 mA
Switch State: Alarm/Off/Chime
Alarm Loudness: >80 dB

Working Temperature (approx.): -4 to 104°
Alarm Exit Delay: 10 seconds
Alarm Time: 30 seconds
Chime Time: 30 seconds

To Reorder

#2058	Motion Detection Alarm w/Magnetic Bed Rail Clamp
#76846	Motion Detection Alarm w/Magnetic Bed Rail Clamp, 6/cs
#2059	Motion Detection Alarm w/Wall Mount
#71088	9V Batteries, 12/pk
#77657	Clip Mounts
#2208	Magnetic Bed Rail Clamps



Manufactured for:



AliMed® inc.

297 High St., Dedham, MA 02026 USA
PH 800.225.2610 • FAX 800.437.2966



MDSS GmbH
Schiffgraben 41
30175 Hannover,
Germany

AliMed.com
#6373REV0416 CCO830
©2016 AliMed® inc. All rights reserved.
Made in USA