

CUSTOM QUOTE REQUEST FORM

☐ Toboggan and Table Width Extender

www.AliMed.com
Main: 888-625-4633
Fax: 781-493-6523



CUSTOMER CONTACT INFORMATION:

Contact Name (First & Last): _____

Customer #: _____ Company/Facility: _____

Address: _____

City/State: _____

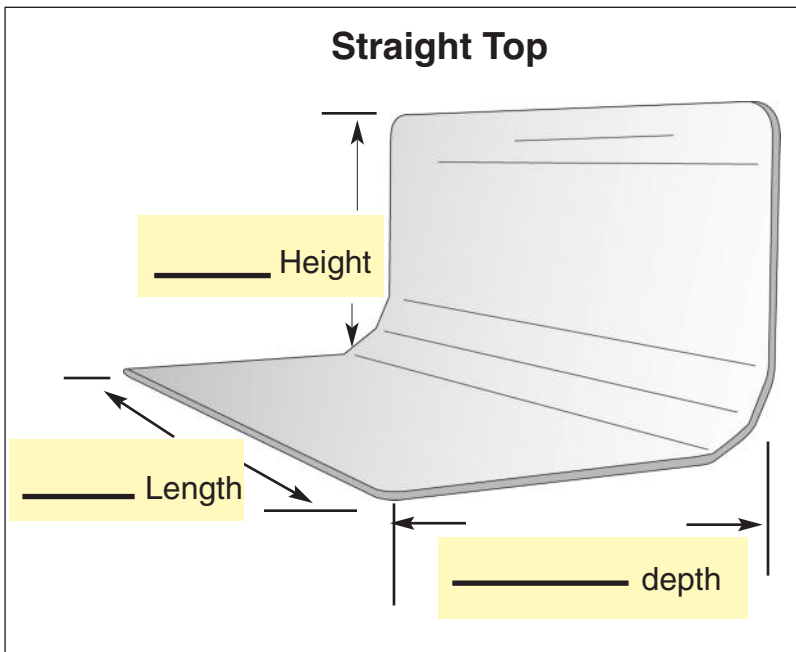
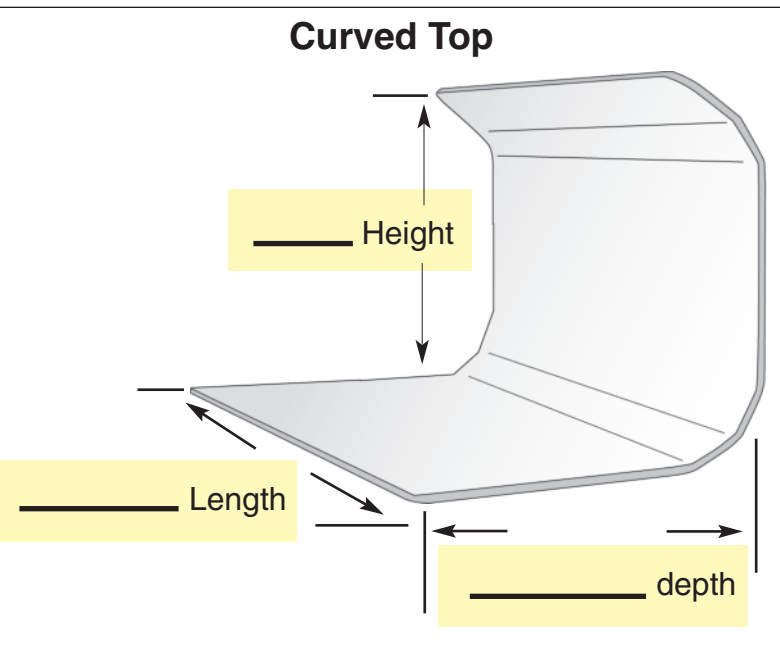
Zip Code: _____ Best time to Contact: _____ AM _____ PM)

Phone: _____ Fax: _____ Email: _____

TOBOGGAN AND TABLE WIDTH EXTENDER

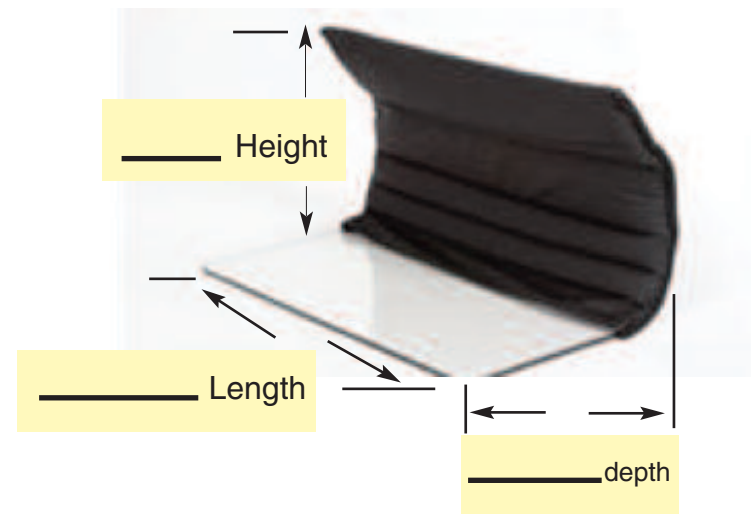
Toboggan and Table Width Extenders are made of Vivak® a crystal clear, extremely strong and radiolucent material.

Two Styles: Straight and Curved Tops (Measurements in inches)



PADDED TOBOGGAN COVERS

T-Foam helps reduce pressure and discomfort. Covered in Black Anti-Shear Elastic Vinyl.



- #### Instructions
1. Fill out all customer contact information
 2. Select Style
 3. Fill out the required dimensions in the yellow boxes
 4. Fax to 781-493-6523