



# MRI Minor Surgical Light



**MRI Mobile Exam Light** Great for hospitals, imaging centers, and clinics for exams where nonmagnetic products are required. Produces a bright light of 46,000 lux/4,300 footcandles at 0.5 meter with 3,000 Kelvin light color temperature using an easily replaceable, long-life dichroic 12V/50W/10° halogen bulb. Features a 40"L heavy-duty, nonmagnetic stainless steel, adjustable arm for a broad range of motion and positioning flexibility. 45"H x 25" diameter, five-star weighted mobile caster base glides easily. Includes 30' power cord that attaches to a wall-mounted plug-in transformer (included). 120V 60Hz. Three-year warranty. White. 40 lbs. (Also available in 230-240V 50Hz AC by special order.)

- #FX92 0340 MRI Mobile Exam Light .....\$2,957.00 ea
- #FX92 2004 Repl. 12V/50W/10° Halogen Bulb.....16.75 ea

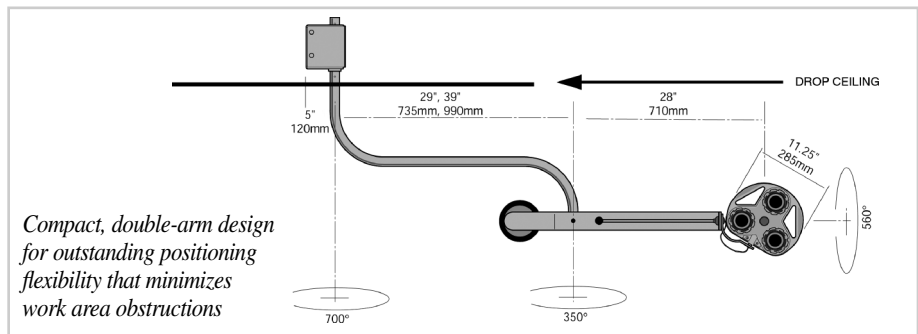
**MRI Minor Surgical Light** brings the performance of a surgical light into MRI suites, emergency rooms, surgery centers, trauma centers, and clinics. Produces 46,000 lux/4,300 footcandles light at 1 meter with 3,300 Kelvin light color temperature. Drift-free rotation arm with a total of 720° of rotation provides unlimited positioning and functionality around the bore. Ceiling model has broad 57" arm reach to beam center ensures ample head-to-toe coverage. Includes removable, sterilizable handle for use with standard disposable light handle covers. Three easily replaceable, long life dichroic 12V/35W/10° halogen bulbs and "no-tool" service minimizes risk of injury or damage and requires no expensive ceiling track. 63" mobile mount model glides easily on a 25" diameter, weighted caster base. Tested by major MRI systems manufacturers and found to be compatible with their systems. Specific manufacturer information is available upon request. 120V 60Hz. UL medical certified. Classified by the FDA as a class II surgical light. Three-year warranty. White. 52 lbs. (Also available in 230-240V 50Hz AC by special order.)



*Adjustable, jointed arm for perfect positioning*



*Head-to-toe unlimited positioning that does not interfere with the bore*



- #FX92 0341 MRI Minor Surgical Light, Ceiling Mount .....\$4,900.00 ea
- #FX92 2002 MRI Minor Surgical Light, Mobile Mount **OS** .....5,100.00 ea
- #FX92 2003 Replacement 12V/35W/10° Halogen Bulb, 3/pk .....95.00 ea
- #FX92 1996 Replacement Light Handle .....60.25 ea